

Metris S

Single lever basin mixer 230 with swivel spout and push-open waste set

Surfaces: **Chrome** Article Number: **31161000**



Description

product features

- consists of: single lever basin mixer, waste set
- ComfortZone 230
- projection 138 mm
- swivel range 120°
- spray type: normal spray
- flow rate at 3 bar: 5 l/min
- ceramic cartridge
- temperature limitation adjustable
- suitable for continuous flow water heaters
- push-open waste set G 1¼
- material waste set: metal
- connection type: G ¾ connections
- connection dimension: DN15
- handle position on the side: bottom-side at the base body (not suitable for wash bowls)

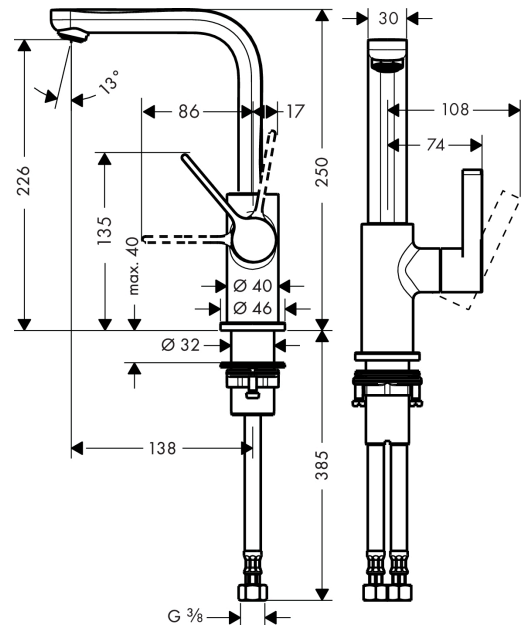
Technology



Product image



Scale drawing



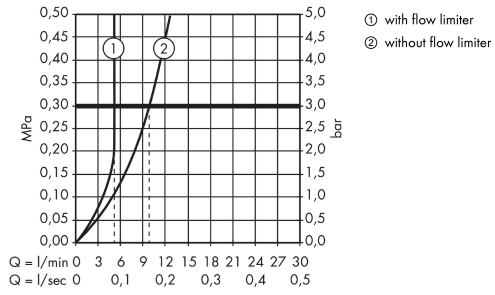
Metris S

Single lever basin mixer 230 with swivel spout and push-open waste set

Surfaces: **Chrome** Article Number: **31161000**



Flowchart



Metris S

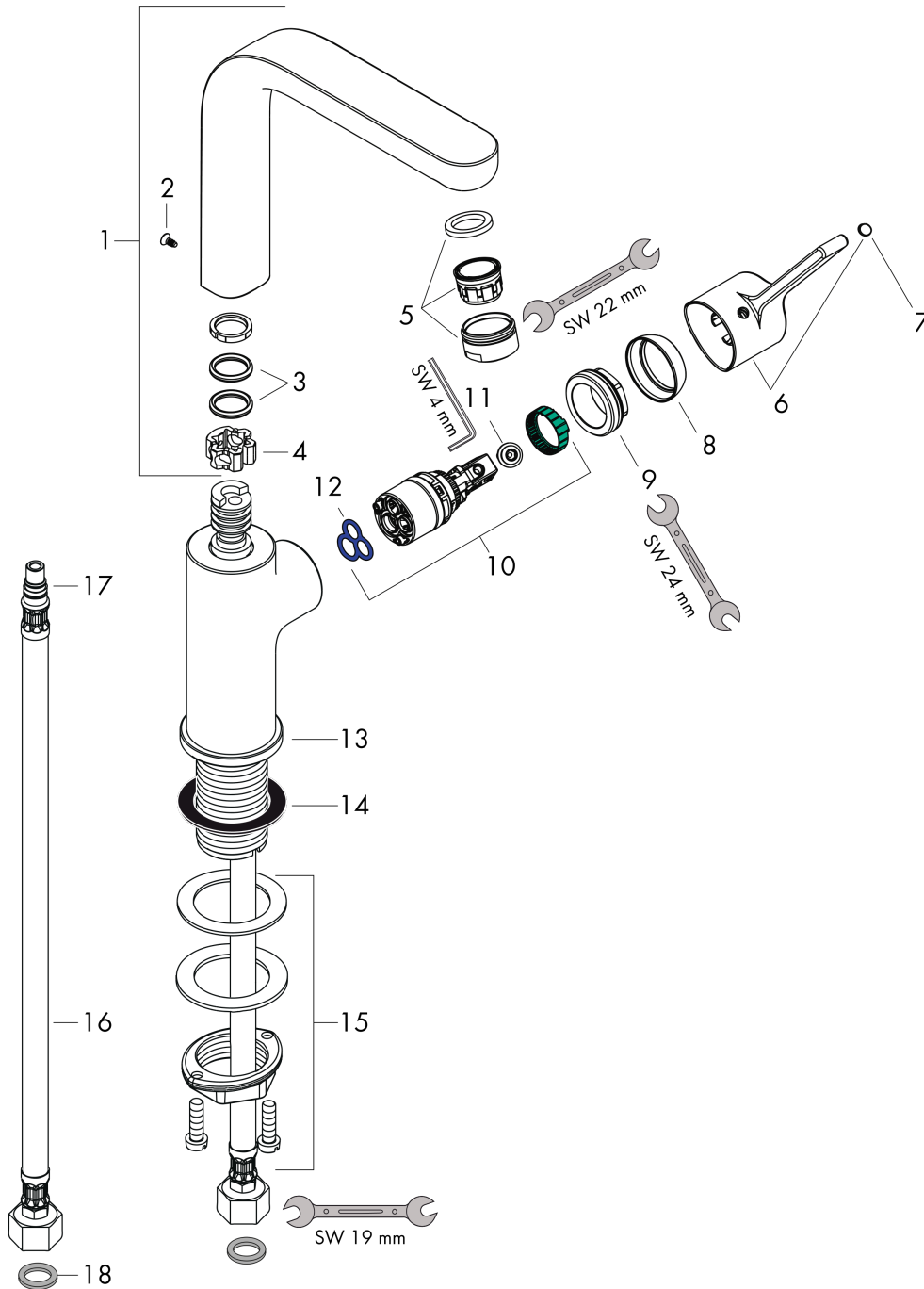
Single lever basin mixer 230 with swivel spout and push-open waste set

Surfaces: **Chrome** Article Number: **31161000**



Exploded Drawing

Year of production: >04/10



Metris S**Single lever basin mixer 230 with swivel spout and push-open waste set**Surfaces: **Chrome** Article Number: **31161000****Spare part list**

Year of production: >04/10

Pos.	Description	Article Number	Price	PU
1	spout cpl.	95653000	-	1
2	screw	97662000	-	1
3	O-Ring 14x2,5	98189000	-	1
4	axialring	97558000	-	1
5	aerator M24x1 (5 l/min)	13185000	-	1
6	handle	95652000	-	1
7	screw cover	96338000	-	1
8	flange	95493000	-	1
9	nut	95178000	-	1
10	cartridge, assy	97685000	-	1
11	locking screw for handle	95140000	-	1
12	seal	98865000	-	1
13	escutcheon Ø 46 mm	95268000	-	1
14	flat seal	98749000	-	1
15	fixing set (Ø 32)	13961000	-	1
16	connection hose 450 mm M8x0,75 G3/8	97206000	-	1
17	O-ring 7x1,5	98422000	-	1
18	sealing set	95581000	-	1
a	push-open waste set	50100000	-	1
b	fixation extension 35 mm	13898000	-	1